



54 INCH - TWIN STAR III

PALM, WOVEN BAMBOO, LARGE OVAL & SERIES ARBOR 900 BLADES

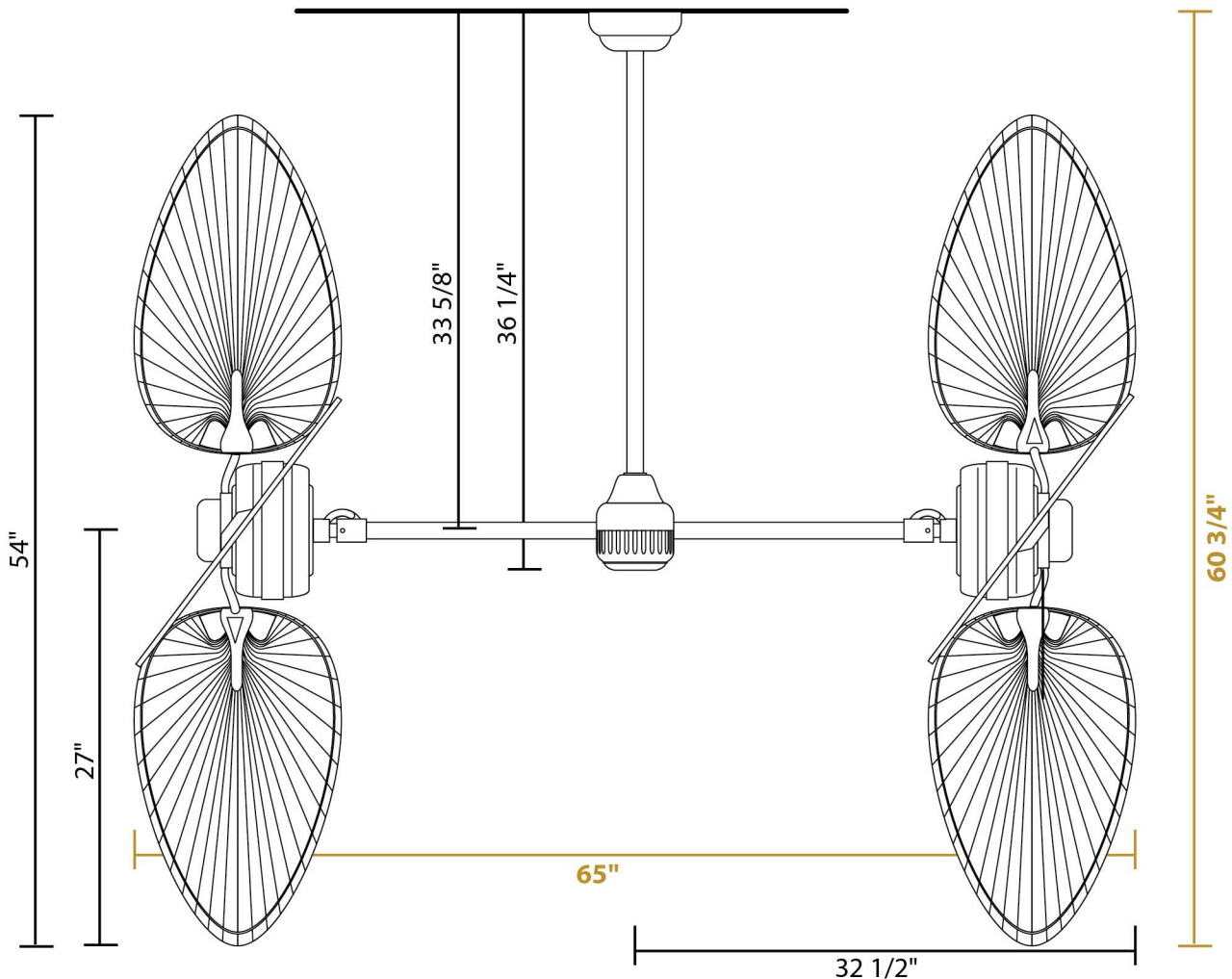
Internal motor size: 188x15 mm

Blade pitch 36°

Motors are manually adjustable to 2 positions:

a) 0° horizontally, motors will be straight out, facing the walls

- Minimum ceiling height required: 12' or higher
- Minimum use of a 30" downrod
- Overall height (from ceiling to bottom of lower blade) 60.75"
- Overall length (from one head to opposite head) 65"





54 INCH - TWIN STAR III

PALM, WOVEN BAMBOO, LARGE OVAL & SERIES ARBOR 900 BLADES

b) At a 45° angle

- Minimum ceiling height required: 10' 6" or higher
- Minimum use of a 15" downrod
- Overall height (from ceiling to bottom of lower blade) 43.25"
- Overall length (from one head to opposite head) 87"

