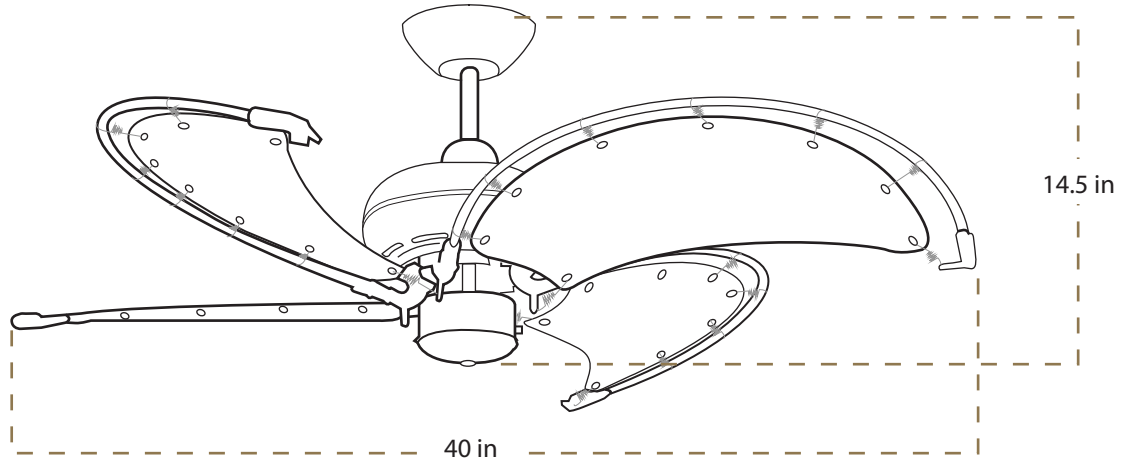




TROPICAL FAN
COMPANY

THE VOYAGE

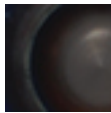
BY TROPOSAIR



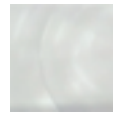
FEATURES

- 5 YEAR OUTDOOR / 25 YEAR INDOOR LIMITED WARRANTY
- 4 SPRING-FRAME, FABRIC BLADES IN (*) CANVAS
- 3 SPEED PULL CHAIN, SWITCH REVERSIBLE OPERATION
- 5 IN. DOWN ROD, 1/2 IN. DIAMETER, SUITABLE FOR 8 FT. CEILINGS AND UP, LONGER DOWN RODS ALSO AVAILABLE
- 153X17 MM ENERGY EFFICIENT MOTOR, QUIET OPERATION
- AIRFLOW 3764 CF/M, ENERGY USED 59.8 WATT,
- AIRFLOW EFFICIENCY 63 CF/M/W
- APPROPRIATE FOR ROOM SIZE UP TO 12 X 12 FT.
- LIGHT KIT ADAPTABLE (3/8 IN. DIAMETER CENTRAL THREADED ROD)
- REMOTE CONTROL ADAPTABLE (UNIVERSAL TYPE, CANOPY MOUNT)

FINISHES



OIL RUBBED BRONZE



BRUSHED NICKEL

ENERGY INFORMATION AT HIGH SPEED		
AIRFLOW	ELECTRICITY USE	AIRFLOW EFFICIENCY
3764	59.8	63
CUBIC FEET PER MINUTE	WATTS (EXCLUDES LIGHTS)	CUBIC FEET PER MINUTE PER WATT

*DISCLAIMER: CEILING FAN MOTOR HAS BEEN TESTED WITH THE CORRESPONDENT SIZE BLADES.