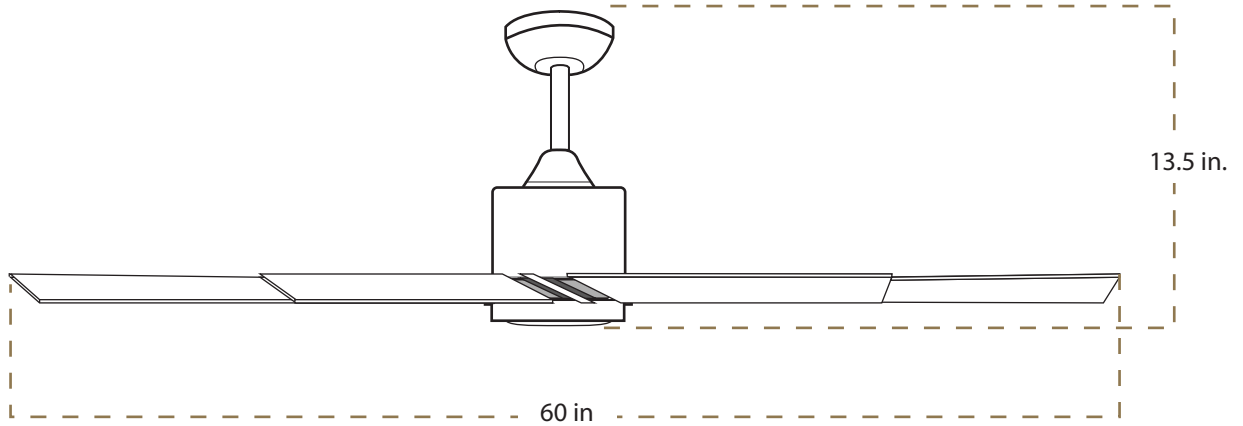




TROPICAL FAN  
COMPANY

NORTHSTAR

BY TROPOSAIR



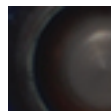
**FEATURES**

- UNIQUE CONTEMPORARY 8-BLADE DESIGN THAT IS SUITABLE FOR ANY TYPE OF DECOR.
- FOR USE IN RESIDENTIAL AND COMMERCIAL SETTINGS.
- AVAILABLE IN OIL RUBBED BRONZE OR BRUSHED NICKEL.
- FOR USE INDOORS
- INDOOR LIMITED LIFETIME WARRANTY
- ENERGY EFFICIENT
- SUPER HIGH EFFICIENCY DIRECT CURRENT-MOTOR WITH REMOTE
- INTEGRATED LED 15-WATT ARRAY LIGHT
- INCLUDES COVER FOR LIGHT FIXTURE IF LIGHT IS NOT DESIRED
- 8-BLADES DESIGN
- PERMANENTLY LUBRICATED AND SEALED BEARINGS
- UNIVERSAL DOWN-ROD MOUNTING SYSTEM FOR FLAT & SLOPPED CEILINGS
- HAND HELD REMOTE CONTROL THAT INCLUDES 6-SPEEDS, REVERSE AND LIGHT FUNCTION INCLUDED
- COMMERCIAL OR RESIDENTIAL USE

**FINISHES**



BRUSHED NICKEL



OIL RUBBED BRONZE

ENERGY INFORMATION  
AT HIGH SPEED

AIRFLOW	ELECTRICITY USE	AIRFLOW EFFICIENCY
6789	30	226.3
CUBIC FEET PER MINUTE	WATTS (EXCLUDES LIGHTS)	CUBIC FEET PER MINUTE PER WATT

\*DISCLAIMER: CEILING FAN MOTOR HAS BEEN TESTED WITH THE CORRESPONDENT SIZE BLADES.