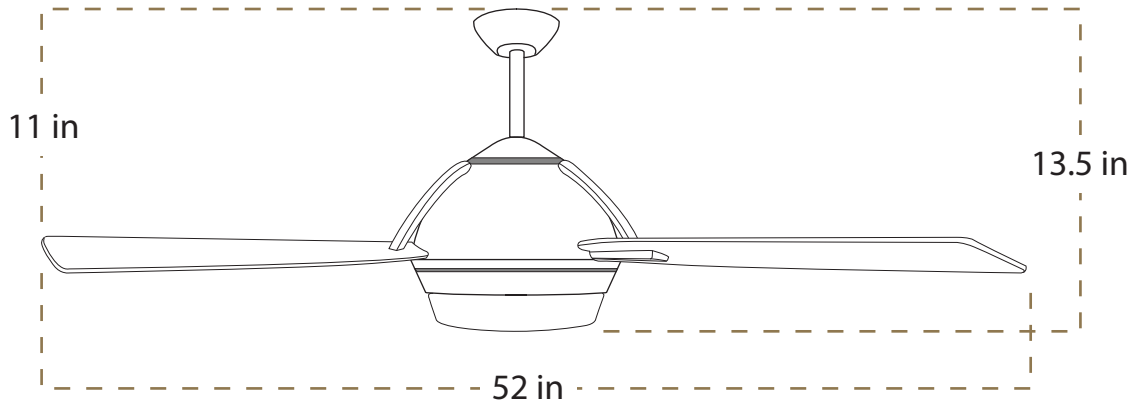




TROPICAL FAN  
COMPANY

# 52" ENTERPRISE III



## FEATURES

- INDOOR 20 YEAR LIMITED WARRANTY
- ECONOMICAL ENERGY EFFICIENT MOTOR WITH REMOTE
- INTEGRATED 50-WATT HALOGEN LIGHT
- 3-BLADE DESIGN
- PERMANENTLY LUBRICATED AND SEALED BEARINGS
- UNIVERSAL DOWN-ROD MOUNTING SYSTEM FOR FLAT & SLOPPED CEILINGS
- HANGS A TOTAL DEPTH OF 13.5 INCHES
- INCLUDED HAND HELD REMOTE CONTROL THAT CONTROLS 3 FAN SPEEDS, REVERSE AND LIGHT ON/OFF FUNCTION

## FINISHES



BRUSHED NICKEL



PURE WHITE

## ENERGY INFORMATION AT HIGH SPEED

AIRFLOW	ELECTRICITY USE	AIRFLOW EFFICIENCY
5880	54.7	107.5
CUBIC FEET PER MINUTE	WATTS (EXCLUDES LIGHTS)	CUBIC FEET PER MINUTE PER WATT