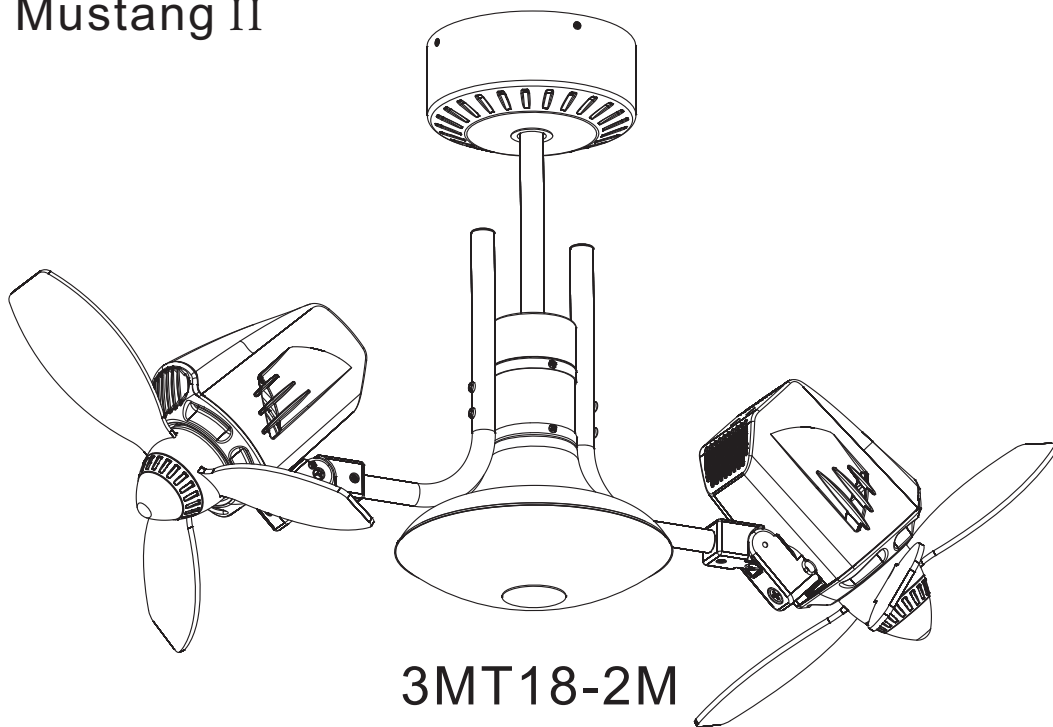


# Owner's Manual

**TropoAir**

Mustang II



This instruction contains 6 pages:

Page 1: Foreword

Page 2: Unpack and inspect parts contained

Page 3: Notes before installation and Hanging system installation

Page 4: Wire connection

Page 5: Hanging base & Canopy installation / Set up motor position

Page 6: Blade / Light kit installation and Remote & Setting



Net weight

10.0 KGS.

22.0 LBS.

Toll Free: 1-855-676-7247

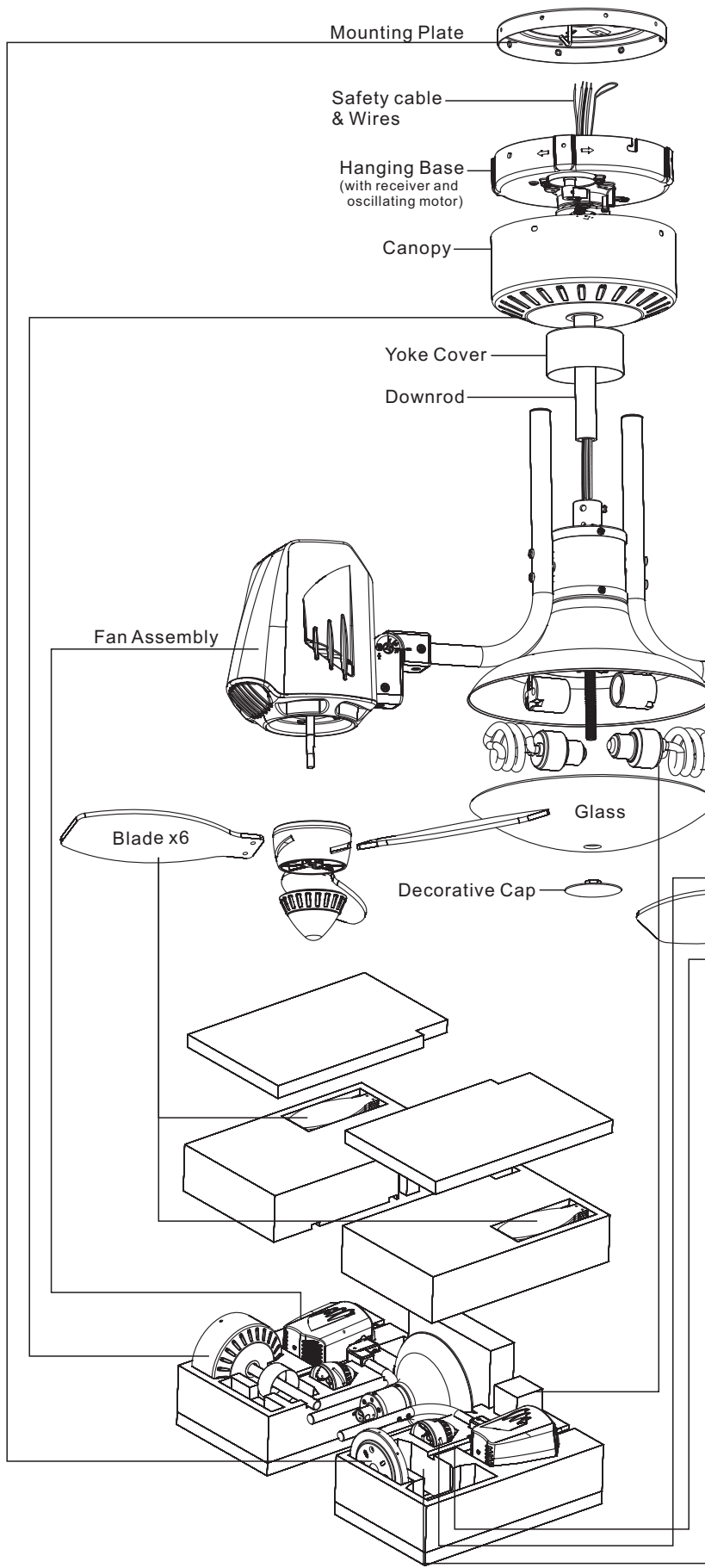
**WARNING** : Read and follow these instructions carefully and be mindful of all warnings shown throughout.

# READ AND SAVE THESE INSTRUCTIONS

## **WARNING : TO REDUCE THE RISK OF FIRE, ELECTRICAL SHOCK, OR INJURY TO PERSONS, PLEASE OBSERVE THE FOLLOWING :**

- 1]. To ensure the success of the installation, be sure to read the instructions and review the diagrams thoroughly before beginning.
- 2]. To avoid possible electric shock, be sure electricity is **TURNE**D OFF at the main power box before wiring. All electrical connections must be made in accordance with local codes, ordinances and/or the National Electric Code. If you are unfamiliar with the methods of installing electrical wiring and products, secure the services of a qualified and licensed electrician as well as someone who can check the strength of the supportive ceiling members and make the proper installations and connections.
- 3]. Make sure that your installation site will not allow rotating fan blades to come in contact with any object. Fan must be installed at least 7 feet from floor to prevent injury when fan is in operation.
- 4]. If possible, mount ceiling fan on a ceiling joist - the joist must be able to support the motion and weight of the moving fan. If the fan will be mounted on a ceiling outlet box, a 4" x 2-1/8" deep METAL octagon box is required ; one UL listed as " suitable for fan support ". The box and its supporting members must not be able to twist or work loose. **DO NOT USE PLASTIC BOXES**. Installation on a concrete ceiling should be performed by qualified personnel.
- 5]. Blades should be attached after motor housing is hung and in place. Fan motor housing should be kept in carton until ready to be installed to protect its finish. If you are installing more than one ceiling fan, make sure that you do not mix fan blade sets.
- 6]. After making electrical connections, spliced conductors should be turned upward. The wires should be spread apart with the grounded conductor and the equipment-grounding conductor on one side and the "HOT" wires on the other side.
- 7]. After fan is completely installed, check to make sure that all connections are secure to prevent fan from falling and/or causing damage or injury.
- 8]. This fan is not suitable for slope ceiling.**
- 9]. This fan is not reversible.**
- 10]. This fan is suitable for damp location use.**

# Unpack and inspect fan carefully to be certain all contents are included.



## Hardware Bag

### For Mounting Plate:

- Flat Washer x3
- Spring Washer x3
- Machine Screw x2
- Wood Screw x3

### For Hanging Base :

- Set Screw x 2

### For Canopy:

- Set Screw x 5 (one spare screw included)

### For Wire Connection:

- Wire Nut x 4

### For Blade Installation:

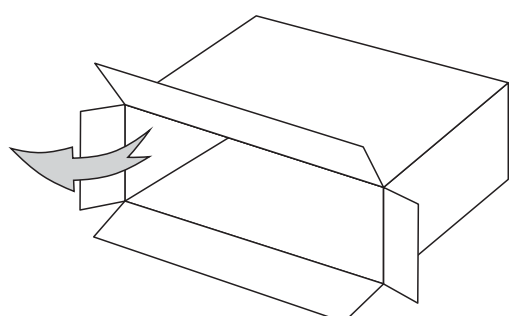
- Blade Screw x 13 (one spare screw included)
- Paper Washer x 13 (one spare washer included)

## Remote \*Battery Included



## Hardware Bag

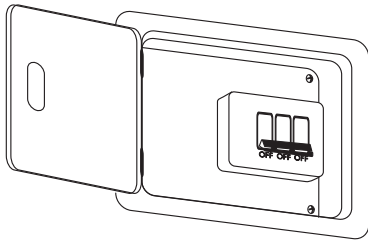
- Wood Screw x2



**WARNING: Fan should be at least 7 feet from the floor**

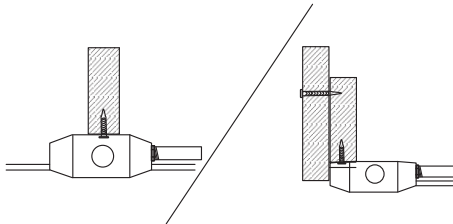
**Note 1:**

Turn off power at breaker box to avoid possible electrical shock.



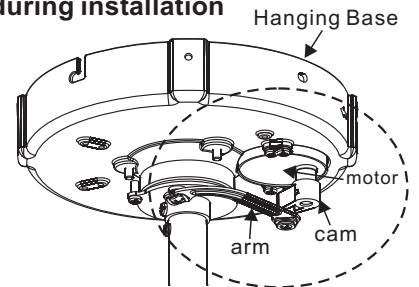
**Note 2:**

Use metal outlet box suitable for fan support. Outlet box must support 35 lbs min.



**Note 3:**

**CAUTION:** Oscillating device located at hanging base is fragile, do not damage or bend oscillating parts (cam/arm/motor) during installation



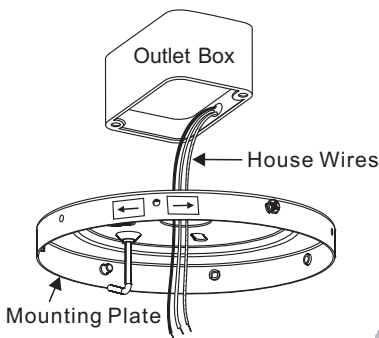
**1. HANGING SYSTEM INSTALLATION**

**Installing mounting plate to ceiling outlet box**

**IMPORTANT: Align Mounting Plate to desired oscillator direction now.**

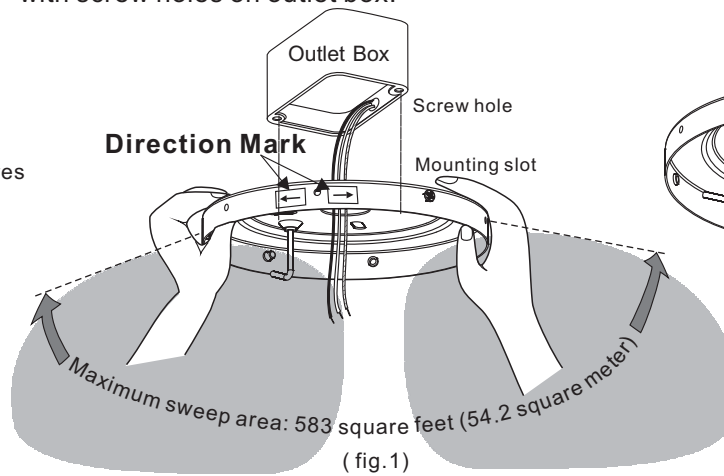
**1A.**

Pull house wires from outlet box through the center hole of mounting plate



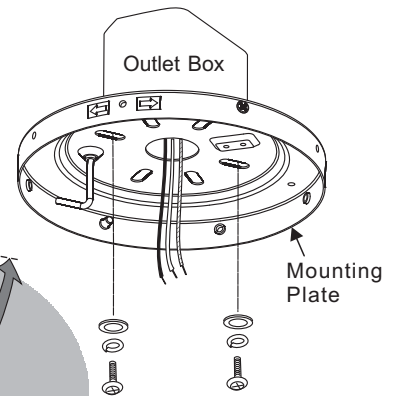
**1B.**

Direction marks are for finding the air direction. Direction marks show the centerline position between the motors. Motors will be 90 degrees to the left and right of the direction mark. Adjust mounting plate to the desired position by aligning 2 slots of mounting plate with screw holes on outlet box.



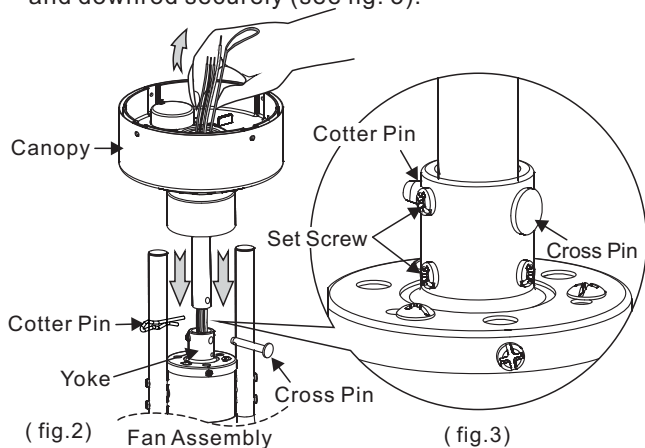
**1C.**

Attach mounting plate to outlet box by securing with screws included with the outlet box and washers from the hardware bag through 2 out of 6 slots on mounting plate.



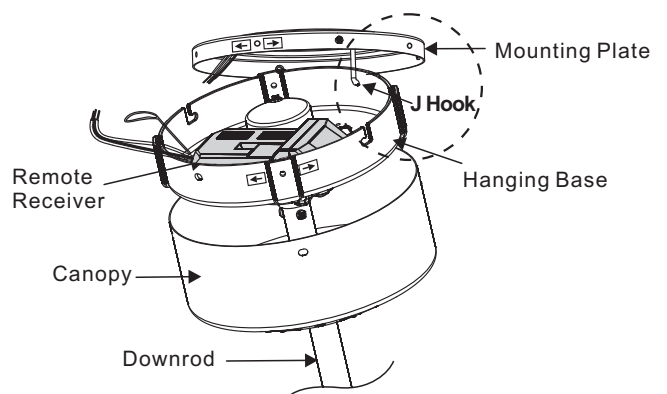
**1D. Yoke & Downrod Assembly**

Remove cotter pin and cross pin secured on downrod and pull out lead wires inside downrod slightly and insert downrod into yoke (see fig. 2). Attached cotter pin and cross pin back through yoke and downrod securely (see fig. 3).



**1E. Hanging the fan**

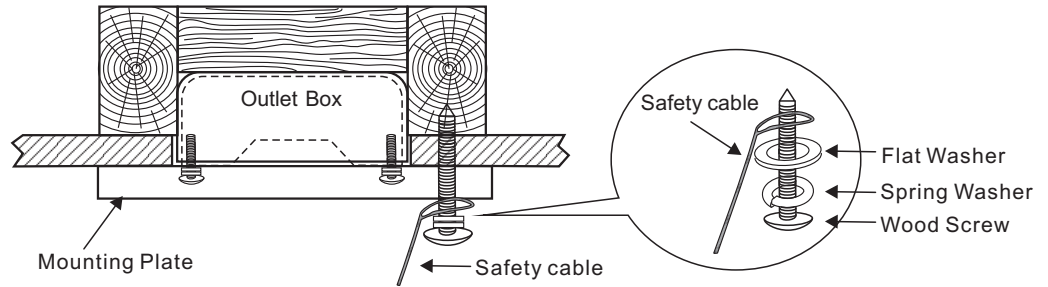
Lift the fan assembly and hang onto the **J hook** through oval-shaped hole on mounting plate. This will permit you to make the electrical connections without having to hold the fan up as well.



## 2. WIRE CONNECTION

### 2A. Attaching safety cable to ceiling joist

Use wood screw, spring washer, and flat washer from hardware bag. Pass wood screw through closed loop of safety cable. Secure wood screw to ceiling joist through any available slot on mounting plate. Make sure safety cable has been tightened securely. **CAUTION: THE WOOD SCREW AND ITS SUPPORT MUST BE ABLE TO FULLY SUPPORT THE WEIGHT OF AT LEAST 100 LBS.**



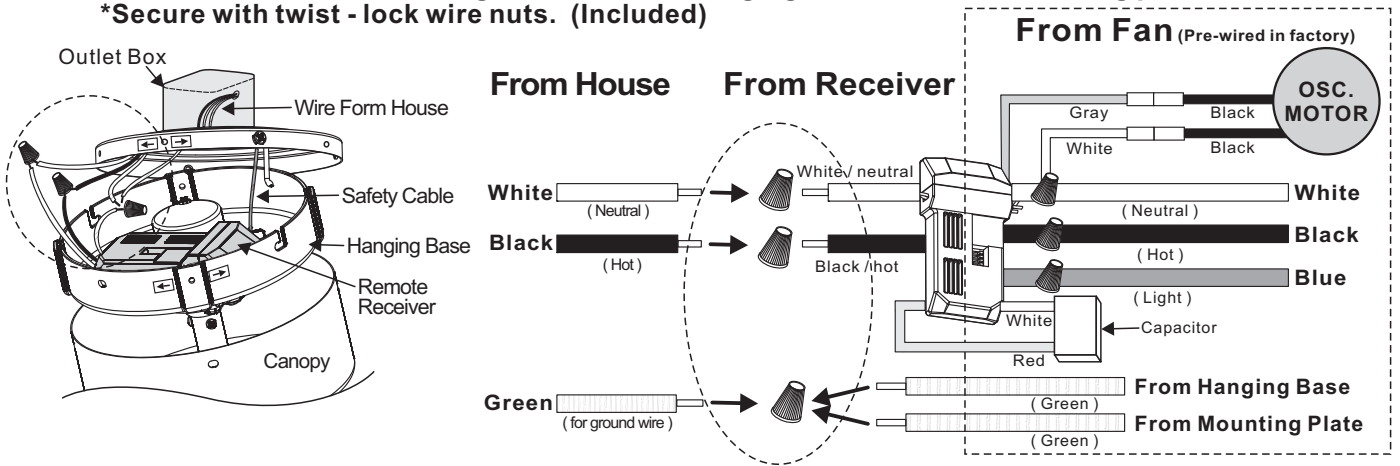
### 2B. Making electrical wire connection

Follow diagram below and make sure that all exposed wires are secured inside wire nuts.

Note: Wires from house may vary in color and may not include ground wire (green).

After wiring is completed, collect wires neatly inside hanging base.

- \*White wire from house to white wire from receiver
- \*Black wire from house to black wire from receiver
- \*Ground wire from house to green wire from hanging base and from mounting plate
- \*Secure with twist - lock wire nuts. (Included)



### 2C. Setting code switches for transmitter

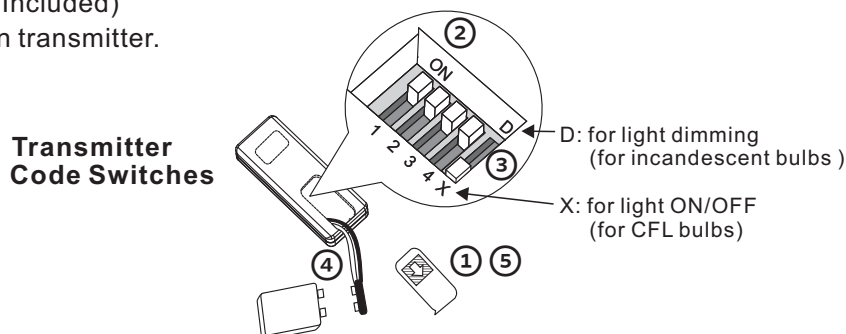
Remote controls are tuned to operate together using 4 switches for 16 possible code combinations.

#### 1. Setting the code on the TRANSMITTER

- ① Remove battery cover.
- ② Slide code switch randomly using a small screwdriver or ball point pen to slide each switch firmly up or down.
- ③ Slide code switch for light ON/OFF (marked as X), or DIMMING (marked as D) function.

**Important!** This fan includes 2 CFL bulbs, so the code switch should be at X position (ON/OFF). You may switch code at D position (DIMMING) once incandescent bulbs are installed.

- ④ Install 9V DC battery. (Included)
- ⑤ Install battery cover on transmitter.



**Warning!** CFL bulbs are not applicable to the remote with dimming function.

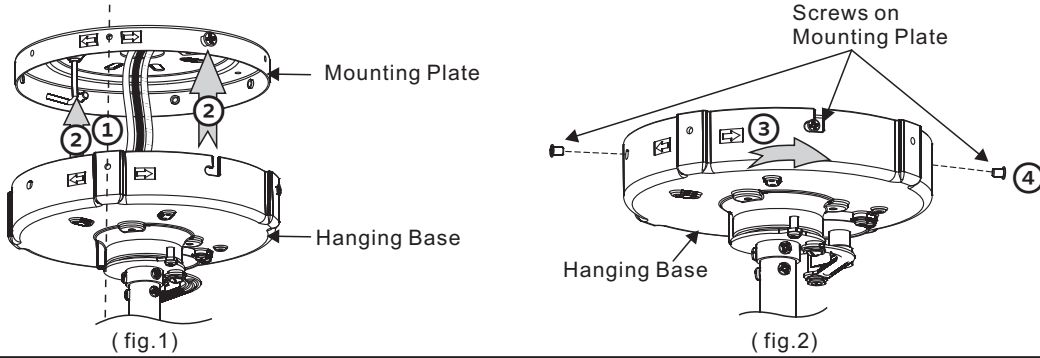
### 3. HANGING BASE AND CANOPY INSTALLATION

#### 3A.

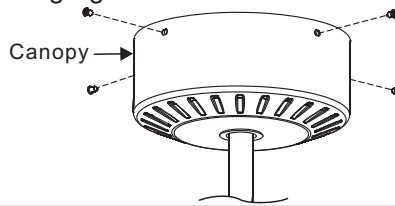
Carefully lift the fan assembly away from the hook on mounting plate.

- ① **Align direction marks** on mounting plate with **direction marks** on hanging base. (see fig.1)
- ② Push up hanging base until 2 set screws pre-installed on mounting plate are engaged with L type slots on hanging base. (see fig.1)
- ③ Slightly rotate hanging base until two screw heads are in L type slots. (see fig.2)
- ④ Attach other 2 set screws from hardware bag to secure hanging base and mounting plate (these will be the remaining 2 out of 4 set screws for securing hanging base to mounting plate). (see fig.2)

**Note:** Make sure all 4 set screws are firmly secured.



#### 3B. Push up canopy and secure to hanging base with 4 set screws from hardware bag.



### 4. SET UP MOTOR POSITION

#### NOTE:

1. Fan motor is at 0 degree when taken out from the carton, no need to change motor angle if intend to use the fan at 0 degree.
2. Both motor positions must be set at the same angle.

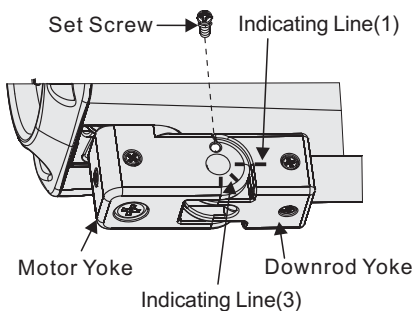
There is **one indicating line on downrod yoke** and **three on motor yoke** for aligning 0/45/90 degree motor position (see fig. 1)

4A. Remove set screw and spring washer from motor yoke. (see fig. 2)

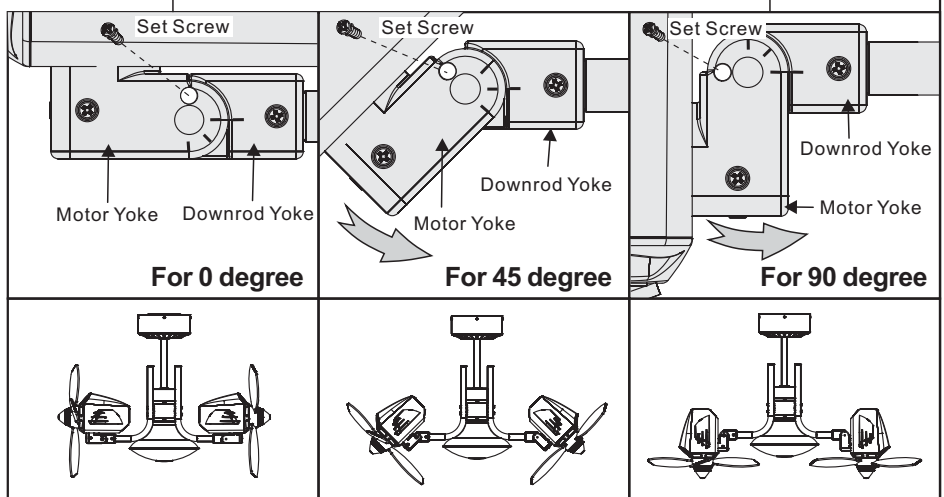
4B. Adjust motor angle by aligning **one out of three indicating lines (0/45/90)** on motor yoke with **indicating line on downrod yoke.**(see fig. 2)

4C. Secure set screw and spring washer removed from step 4A back to motor yoke. Make sure set screw is firmly tightened.(see fig. 2)

(fig.1)

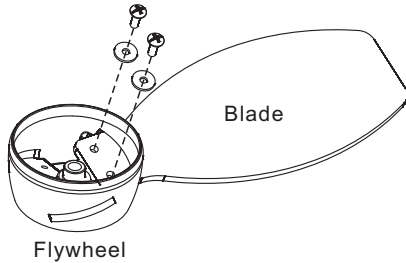


(fig.2)

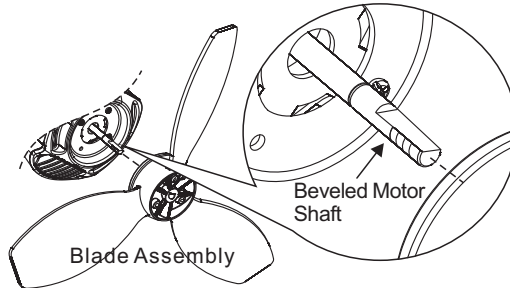


## 5. BLADE INSTALLATION

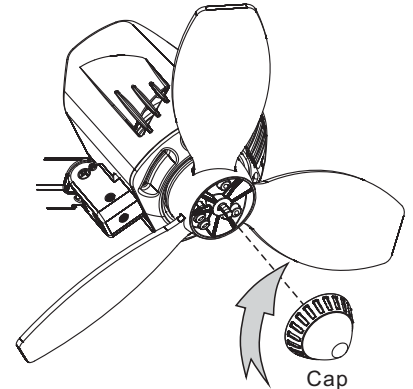
**5A.**  
Attach blade to blade holder with screws & washers provided in hardware bag. Make sure that all screws are firmly tightened.



**5B.**  
Attach blade assembly to flywheel, **aligning beveled center hole on flywheel with beveled motor shaft before attachment.**

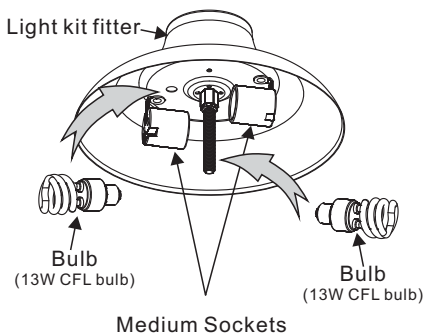


**5C.**  
Thread the cap **counter-clockwise** to motor shaft until fully tightened. (\*This is reverse threaded.)

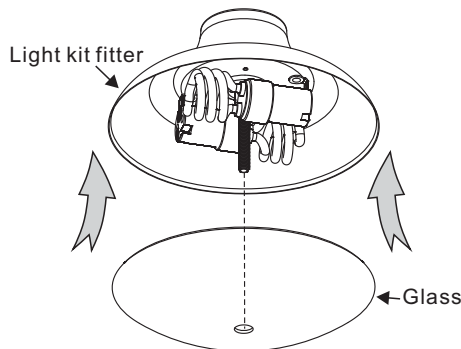


## 6. LIGHT KIT INSTALLATION

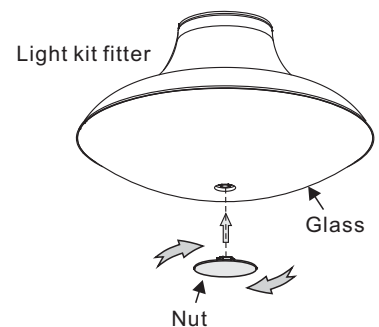
**6A.**  
Install the bulbs (included) to the medium sockets (sockets) properly.



**6B.**  
Align the hole on the glass with the threaded tube from light fixture. Attach the glass to light fixture.



**6C.**  
Attach the nut to the threaded tube tightly.

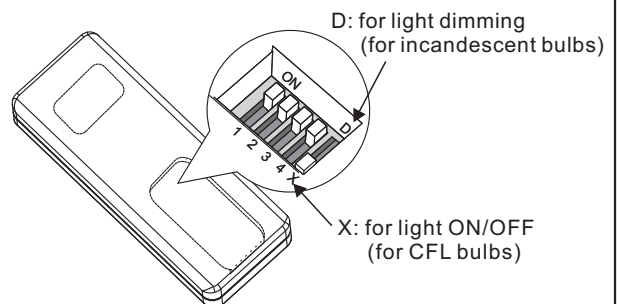
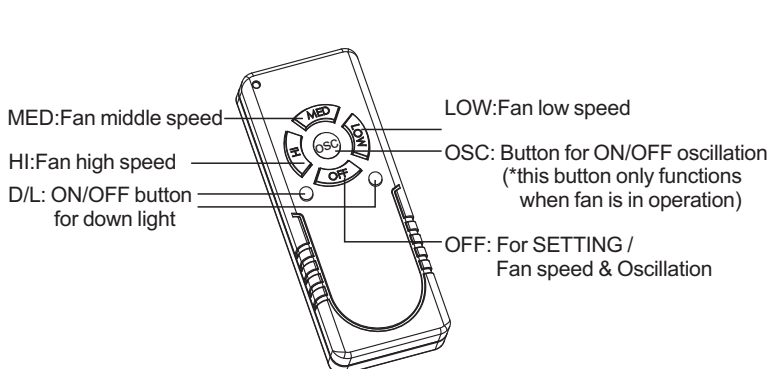


**Turn on power at breaker box for remote setting.**

## 7. REMOTE & SETTING

### SETTING for light operation before starting fan

Pressing the button "OFF" for 3~5 seconds till the **LIGHT BLINKS**, which means this remote control has done the setting. Now the remote is ready for operation.



**Note:** You may switch Light switch code at D position (DIMMING) when you change to incandescent bulbs for Down light.