

# MUSTANG II

## FINISHES

brushed aluminum  
rubbed bronze

## ENERGY INFORMATION at High Speed

**Airflow**

**4100**

**Cubic Feet Per  
Minute**

**Electricity Use**

**90.5**

**Watts  
(excludes lights)**

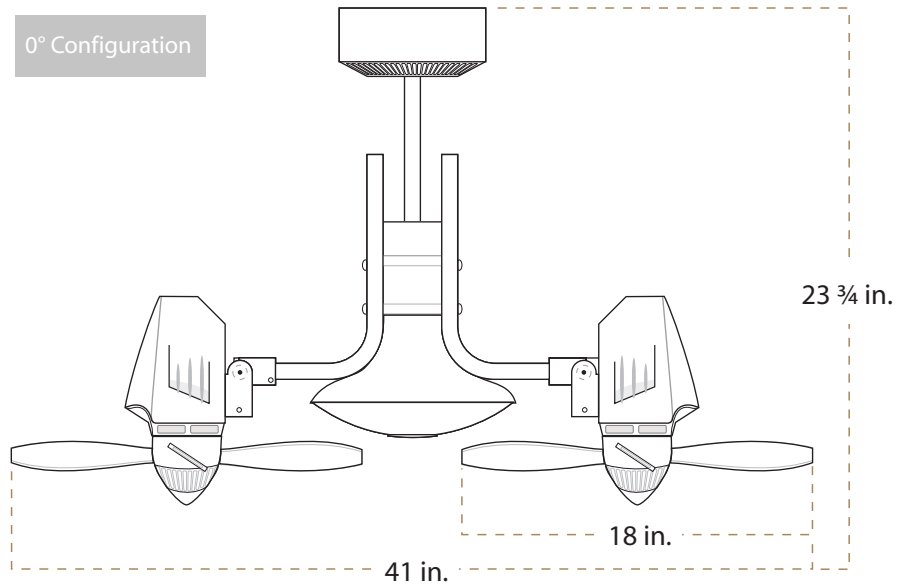
**Airflow Efficiency**

**45.3**

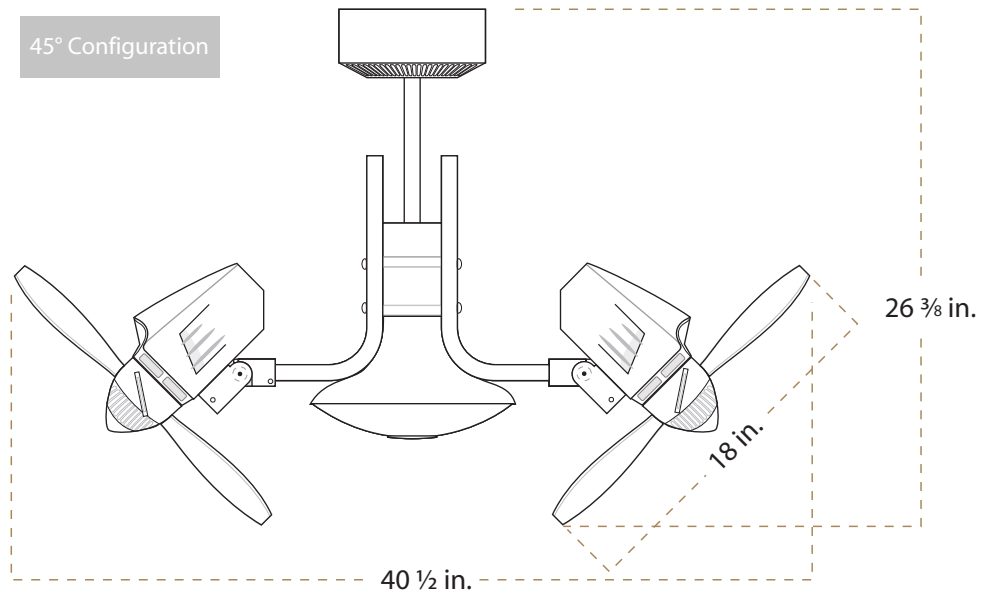
**Cubic Feet Per  
Minute Per Watt**

## dimensions

0° Configuration



45° Configuration



90° Configuration

